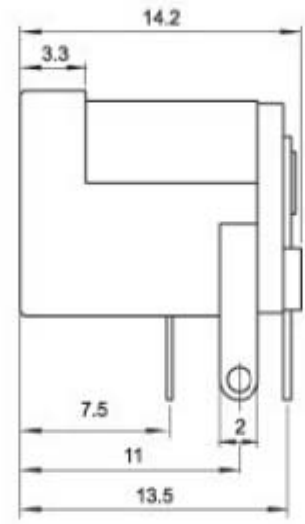
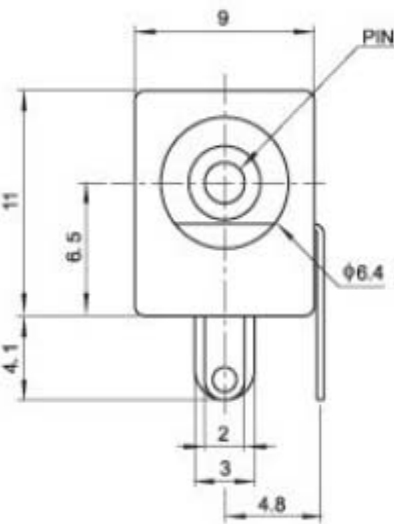
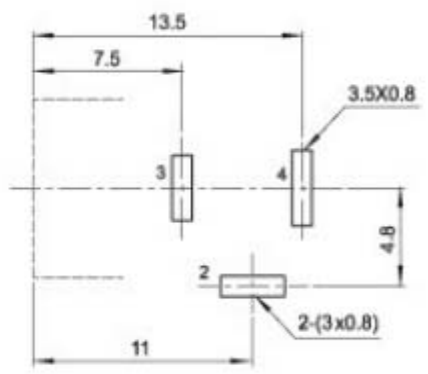


DC-005 2.4mm



P.C.B LAYOUT TOP VIEW



PIN	φ1.65	φ2.0	φ2.35	φ2.5	
APPD					