

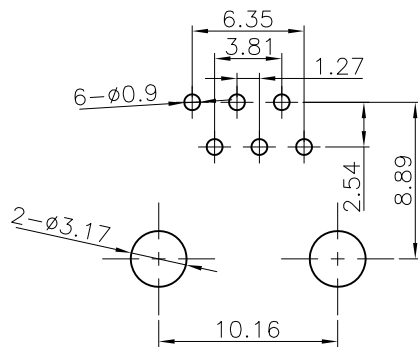
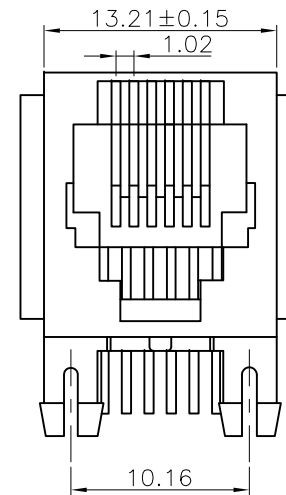
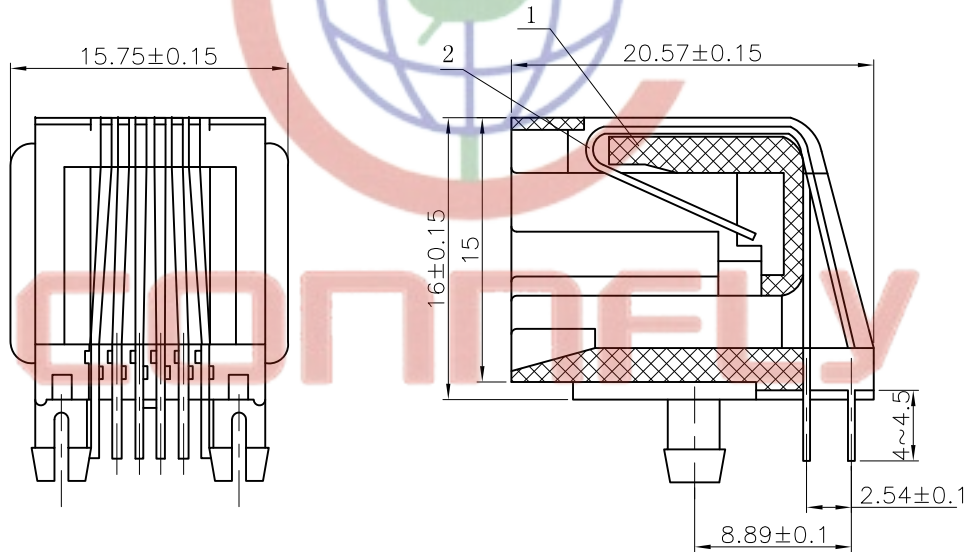
REV.	DESCRIPTION	DRAWN	CHECKED	APPROVED
A	NEW RELEASE	LL 06/26/06'		

SPECIFICATION

1. Insulation Resistance:1000MΩ Min.
2. Withstand Voltage:500V AC/Minute.
3. Durability:600 Mating Cycles Min.
4. Product Number Code:

DS1133-01-X X X X X X

- └ Ear Support
- └ S:W/ Ear
- └ X:W/O Ear
- └ Housing Materials
- └ P:PBT
- └ N:NYLON
- └ Housing Color
- └ B:Black
- └ Contact Plating
- └ 0:Gold Flash
- └ 3:3u" Gold
- └ 6:6u" Gold
- └ 15:15u" Gold
- └ 30:30u" Gold
- └ No.Of Contacts
- └ 4:6P4C
- └ 6:6P6C
- └ Connector Type
- └ S:Socket
- └ Series No.
- └ DS1133-01



RECOMMEND PCB LAYOUT  
TOLERANCE=±0.05mm

Tel:86-574-63508787  
Fax:86-574-63510817  
E-mail:sale@zhenqin.com.cn  
Http://www.connfly.com

GENERAL TOLERANCE		ANGLE TOLERANCE		PROJECTION	TITLE
X	±0.60	X	±5°		PCB JACK 6P
.X	±0.38	.X	±3°	mm	
.XX	±0.25	.XX	±2°	A4	SERIES DS1133-01 SERIES

(2) PIN	PHOSPHOR BRONZE	GOLD-PLATING OVER NICKEL	DRAWING TYPE	CUSTOMER
(1) HOUSING	PBT OR NYLON	UL94 V-0 OR 94 V-2	SCALE	1:1 SHEET 1 OF 1
No. PART NAME QTY	MATERIAL	REMARK	DRAWING NO.	C-DS1133-01-XXXXX

晨翔电子有限公司  
CONNFLY CONNFLY ELECTRONIC CO. LTD