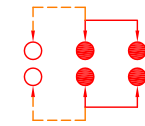
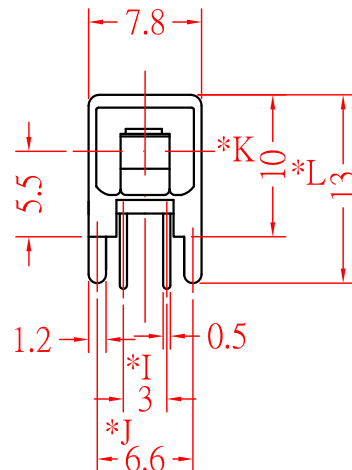
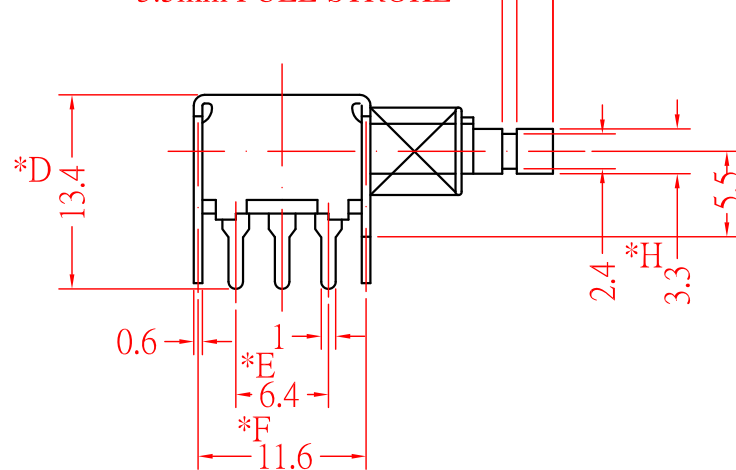
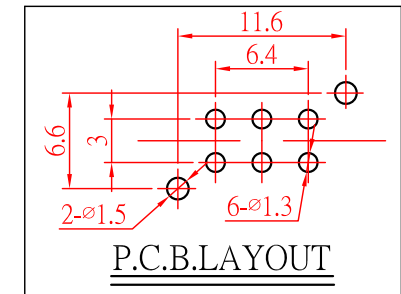


2.5mm LOCK STROKE
3.5mm FULL STROKE

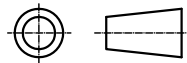


SCHEMATIC



* CRITICAL DIMENSION

CHI FUNG ELECTRONICS CO.,LTD.



DRAWING NO.: CF-ENL-PS4032

GENERAL TOLERANCE

WITHIN 0.XXmm±0.15mm
OVER 0.Xmm±0.25mm

SERIES : PUSH SWITCH

PART NAME: PS-22F02L

UNIT : MM

DWN.

SCALE : 2:1

CHK'D

REV : A/0

APPD.

9	SPRING PLATE	PBS	1	NATURAL
8	CAM STICK	COPPER	1	NATURAL
7	CONTACT CLIP	C5210R-EH	2	Ag CLAD
6	SPRING	STEEL WIRE	1	NATURAL
5	LOCK PLATE	SPN	1	Ni COATING
4	TERMIAL	BRASS	6	Ag COATING
3	BASE	PHENOLIC RESIN	1	YELLOW
2	FRAME	SPN	1	Ni COATING
1	KNOB	POM	1	BLACK OR YELLOW
NO.	PART NAME	MATERIAL	QTY	FINISHING